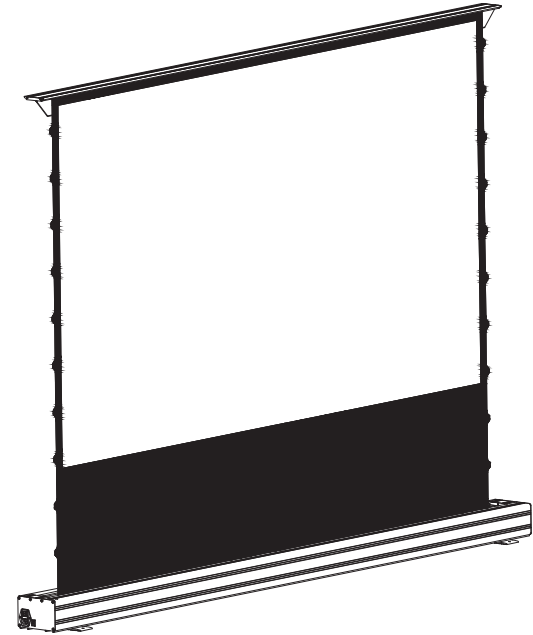


Motorized Floor Rising Screen User Manual



Thank you again for purchasing this product
and wish you a happy use!

Thank you for purchasing this product,
please read this manual carefully before installation and use,
and keep it in your collection for future reference



Warning

Do not expose the product to rain or moisture to reduce the risk of fire or electric shock. Please strictly abide by the following safety rules. Wrong installation and use methods may cause device damage or personal injury.

01. When moving the screen, handle the screen carefully to avoid damage.
02. Do not put the liquid on the product or expose the product to rain.
03. Fire protection and heat protection: Keep away from heat sources, such as radiators, stoves, and other harmful products.
04. This product is equipped with a strong cross-spring system, please do not try to disassemble it by yourself to prevent accidents.
05. Check and determine whether the power supply voltage and frequency are consistent with the voltage of this product, and the power socket should have a reliable grounding wire.
06. Avoid scratching or folding the screen, so as not to cause the curtain to be damaged or wrinkled.
07. After the screen is used, please recycle the screen into the shell to prevent the screen from being polluted by dust and reduce light aging. Before retracting the screen, please check and make sure that the screen is clean and free of foreign objects.
08. The screen motor has an overheating protection function (4 minutes) and does not frequently run the screen in a short period of time.
09. When installing the screen, ensure the horizontal position to ensure that the product will not tilt during use.
10. This screen is equipped with a remote control transmitter, please take out the battery inside when it is not used for a long time.
11. Please operate according to the instruction manual, and leave the installation and maintenance to professional service personnel.

Screen cleaning

1. ALR fabrics: flick the screen with a feathered bomb or try to wipe it with an eraser.
2. The soft white/gray fabrics: wipe with a soft cloth towel dipped in water or diluted with a weak alkaline detergent; do not use alcohol, ether, or other solutions to clean the screen to avoid deformation of the screen.
3. Other fabric: cleaning method is the same as that of soft white/gray fabrics.

Characteristic

1. Equipped with an anti-collision device, the upper cover stops falling when a foreign object squeezes the anti-collision strip, and the anti-pinch function is triggered.
2. Adopt a self-leveling system (that is, when the screen rises to the highest state, it will automatically drop about 5CM to maintain the relatively flat state of the screen).
3. This product is equipped with a USB trigger (code has been matched before delivery), which can be inserted into the USB port of the projector for use as needed.
4. Easy to install and fix, suitable for ground, wall, and cabinet installation.

Warranty card

This warranty card is an important document for users to enjoy the warranty (including "three guarantees") service, please keep this certificate properly when asking for an invoice.

Product Serial Number: _____

Origin: _____ Warranty date: _____

Purchase Date: _____

Seller's name: _____ (valid with stamp)

Seller's address: _____

Seller's TEL: _____

Seller's Fax: _____

User name: _____

User Attributes: Personal Company

Contact: _____

Contact number: _____

User address: _____

Email address: _____

General Troubleshooting

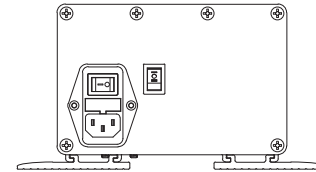
Common problem	Inspection site and cause analysis	Solution
The motor does not work	Check the power supply, whether it is powered on	Connect the power plug socket
	The motor works continuously for more than 4 minutes, overheating automatic protection	Wait for 30 minutes for the motor to cool down and power on automatically
	The three-position switch or the circuit of the remote control receiving box is faulty, resulting in the motor not being energized	Replace corresponding parts
	Three-position switch failure	Press the reset button (middle button) on the remote controller
The remote control does not work	The battery of the remote controller is low	Replacement battery
	Out of range	The factory generally sets the remote control distance: wireless <50 meters
	The remote control transmitter does not match the receiver	Re-code
	Try other control methods (such as manual control) to determine whether there is a motor problem	Determine whether the remote control is faulty
Screen fabric shift	Violent shaking during transportation leads to loosening, or the position adjusted by the user	Adjust the position of the screen according to the method in the manual

Notice:

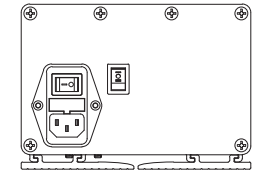
After unpacking, confirm whether the accessories are complete

No.	Parts name	QTY	No.	Parts name	QTY
1	Screen	1pcs	1	User manual	1pcs
2	Power cord	1pcs	2	Qualified certificate	1pcs
3	Remote control	1pcs	3	Self-tapping screw	4pcs
4	USB trigger	1pcs	4	Expansion plug	4pcs

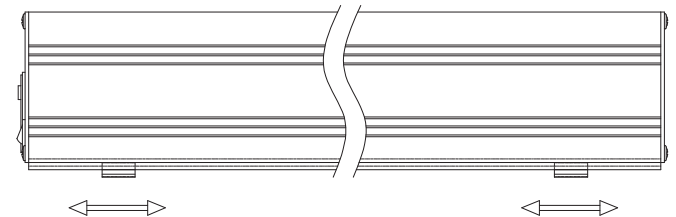
Confirm the installation method of the base according to the site conditions, as shown in the figure below. (It has been adjusted to the state of mode 2 before leaving the factory. If you need to use mode 1, please adjust it yourself)



Mode 1



Mode 2



The base can be moved out of the shell along the groove and then reversed into it

Qualified certificate

Product Name: _____

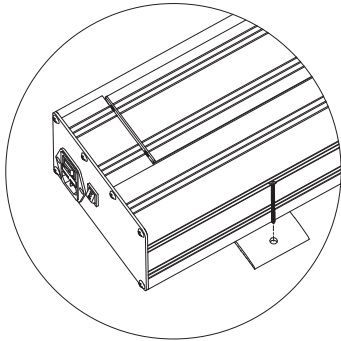
Spec and models: _____

Factory code: _____

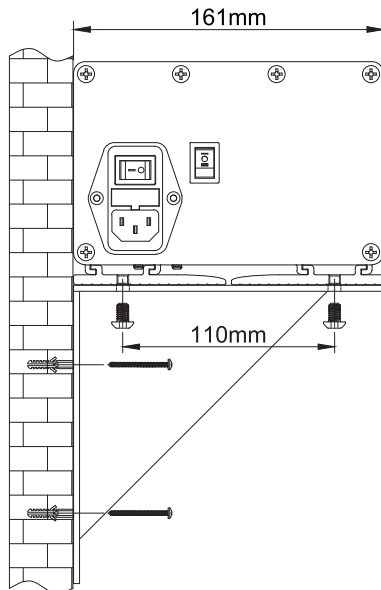
Inspector: _____

Date of delivery: _____

If conditions permit, the base mounting holes are fixed with screws.



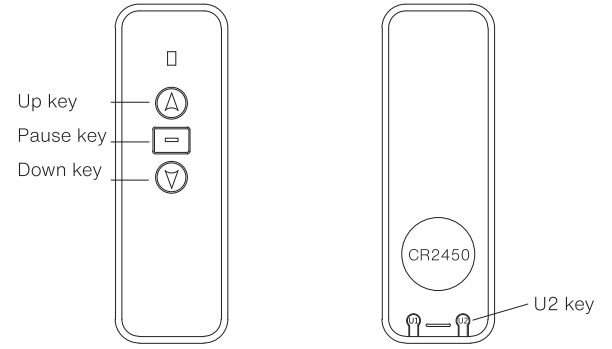
If it needs to be installed on the wall, please adjust the base according to installation mode 2 (as shown in the figure below), prepare two tripods by yourself, and fix the tripod and the base with M6 screws.



Warranty Rules:

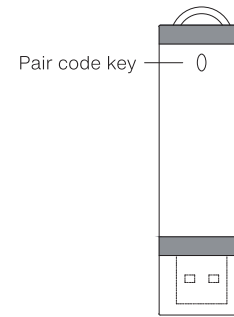
1. The screen is guaranteed for () years from the date of purchase, (subject to the unified date issued by the warranty card and purchase invoice).
2. The warranty card should be filled in completely when purchasing, and the content is clear and detailed.
3. The following situations do not belong to the scope of free warranty:
 - 3.1 The warranty card is illegible or the content does not match the actual product.
 - 3.2 Without the consent of the manufacturer, the product is damaged due to disassembly and repair, replacement, or addition of components.
 - 3.3 Damage caused by accidents or third parties during transportation.
 - 3.4 Damage caused by the operation method, not in accordance with the instructions of the product and the use in an abnormal working environment.
4. When returning for repair, please return the warranty card together.
5. If the product fails, please contact the supplier first.

Transmitter



Transmitter front
Battery CR2450

Transmitter back
Open back cover



USB trigger
2.5mmAudio interface

Pair code of the trigger

(After entering the pairing/deleting mode, if the receiver beeps slowly for 30 seconds and there is no corresponding operation, the receiver will return to the initial state)

Pair code setting

Within 30 seconds of turning on the power, insert the trigger into the audio interface of the projector, and press the stop button of the receiver for 5 seconds, the receiver beeps slowly, press the pairing key of the receiver 2 times within 5 seconds, the receiver beeps 3 times quickly, The indicator light stops flashing, and the code pairing is successful

WIFI formatting

(Note: Products that have been connected to the network need to connect to a new network or a new mobile phone, and the network needs to be cleared and formatted first)

Network formatting operation

Long press the U2 key on the back of the transmitter for 7 seconds, and the beep will sound once slowly, then long press the down key for the transmitter for 2 seconds, and the beep will sound 3 times quickly, and the network clearing operation is successful

Pair code

(Note: It is recommended not to put the transmitter in your pocket or give it to children to play with to prevent misuse)

Pair code setting

After powering on, long press the up key of the transmitter for 2 seconds, and the beep will sound slow, release the up button of the transmitter and press it again, the beep will sound once, and the pairing is successful.

Transmitter up and down key reverse setting

Press the pause key of the transmitter for 5 seconds, and the beep will sound quickly to enter the setting state, and then press the up key of the transmitter for 2 seconds, and the beep will sound once for a long time, and the setting is successful.

Upper limit setting

Press the up key of the transmitter for 5 seconds, and the motor will run to the ideal position, press the up/down key to adjust to the best position, and the motor will stop for 30 seconds without operation, and the beep will sound once, the setting is successful.

Single limit delete

The motor runs to the limit position that needs to be deleted, press the pause key of the transmitter for 5 seconds, beep quickly beep to enter the setting state, press the pause key of the transmitter for 5 seconds, and the beep will beep once, and the deletion is successful

All limit delete

The motor runs to the position of no-limit position, press the pause key of the transmitter for 5 seconds, beep quickly beep to enter the setting state, press the pause key of the transmitter for 5 seconds, and the beep will beep once, and the deletion is successful.

Remove all transmitter

Press the pause key of the transmitter for 5 seconds, and the beep will beep quickly to enter the setting state, press the down key of the transmitter for 2 seconds, and the beep will beep once, and the deletion is successful.

Factory reset

Press the pause key of the transmitter for 5 seconds, the beep will beep quickly to enter the setting state, and then press the U2 key on the back of the transmitter for 2 seconds, the beep will beep once, and the factory reset.