

ULTIMEA

# FULL HD PROJECTOR QUICK START GUIDE

**Apollo P20**



Model No.: U0321

**1080P**

**WE ARE READY TO HELP**



**Prefer video tutorial?**

Setup guidance video and User Manuals on ULTIMEA website.



support.ultimea.com



@Ultimea\_Official +1 888-598-8875 (US) Mon-Fri 9am-5pm (PST)  
+49 89-628-25828 (EU) Mon-Fri 9am-5pm (CET)

**IMPORTANT:** Before using the projector, please read these set up guide, for more detailed instruction, please go to check the online User Manual. Your product may differ from the illustrations on this sheet, but the instructions are the same.

**Note:** Due to Type-C protocols, android phone/pad can not be played by USB or HD cable connection.

## 1 Accessories List



Apollo P20



Remote (Batteries not included)



Quick guide



AV Cable

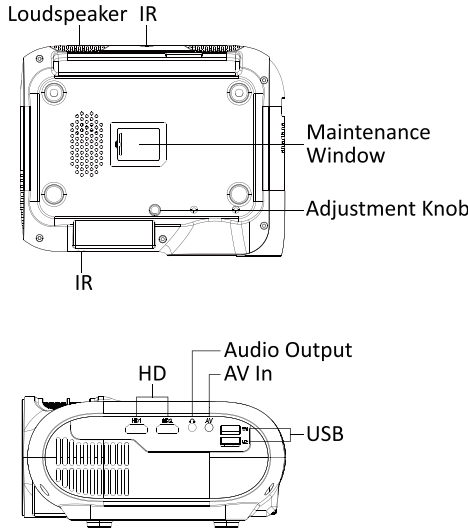
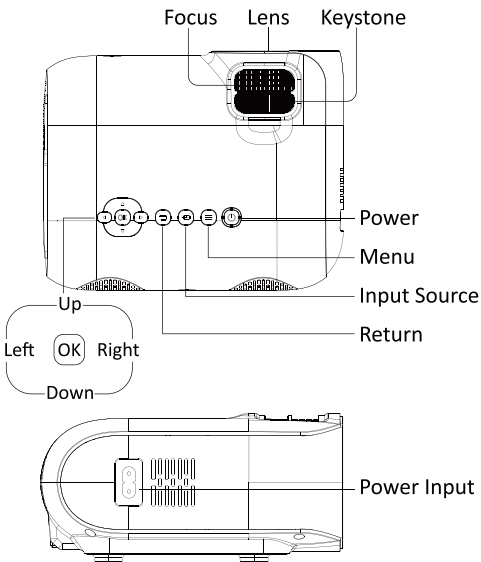


HD Cable

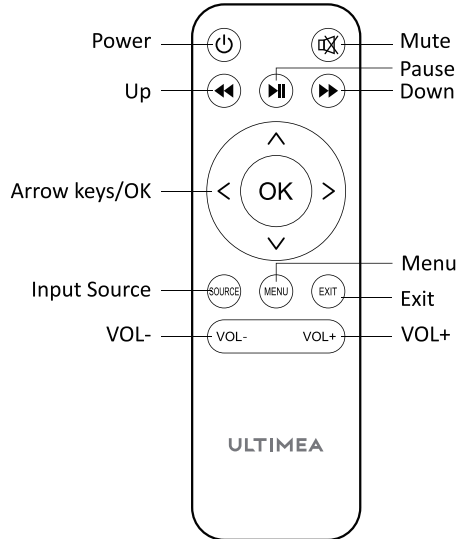


Power Cable

## 2 Product



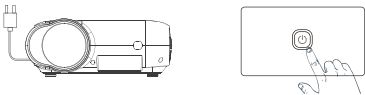
## 3 Remote Control



## 4 Quick Setup

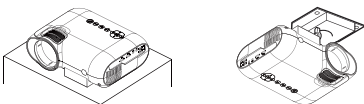
### 4.1 Power On / Power Off

Plug in the AC power cord, click the power button on the operation panel of the machine or on the remote control and the projector will start to work.

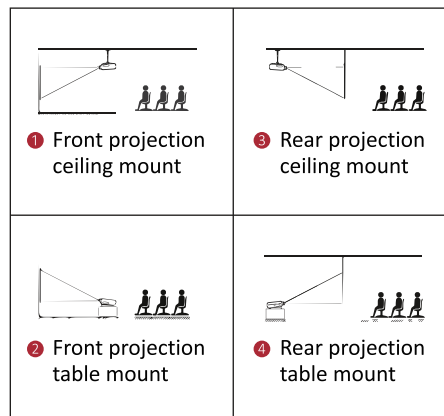


### 4.2 Projector Installation

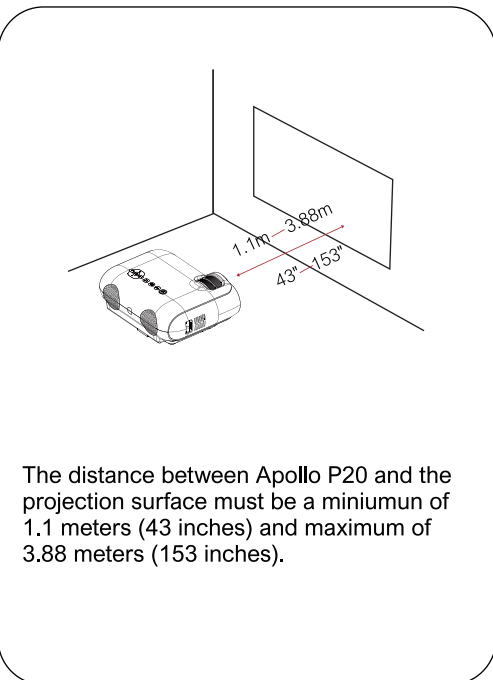
You can choose horizontal placement or hanger installation.



Horizontal placement Hanger installation



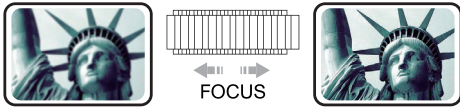
The projection screen can be played from 35" to 120". The recommended projection screen is 40" to 80". Ambient darkness will improve the clarity of the projected images.



The distance between Apollo P20 and the projection surface must be a minimum of 1.1 meters (43 inches) and maximum of 3.88 meters (153 inches).

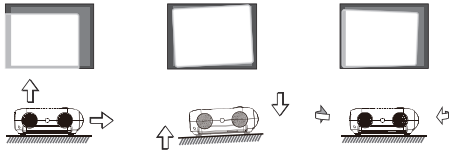
## 5 Adjusting the projector image

### 5.1 Please adjust the dial slowly to bring the picture into focus



### 5.2 Adjust the Image Projected On the Screen

Check the horizontal and vertical settings of the projector till the image on the screen is balanced.



## 6 Keystone correction

1. Adjust the keystone on the projector to adjust the images shape.

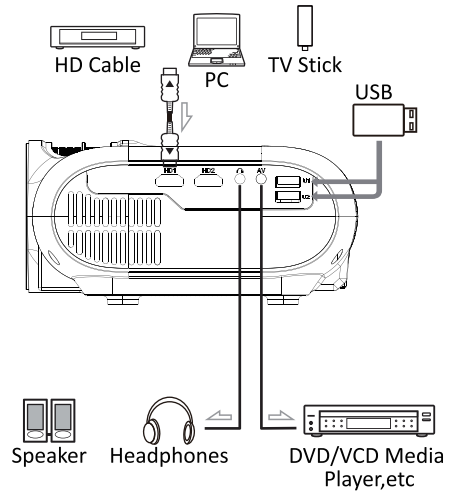


2. Adjust the placement of the projector. When the left side of the picture is wider, move the left side of the projector corresponding to the picture forward; when the right side of the picture is wider, move the right side of the projector corresponding to the picture forward.



## 7 Input Source

### 7.1 Wired Connection to Devices

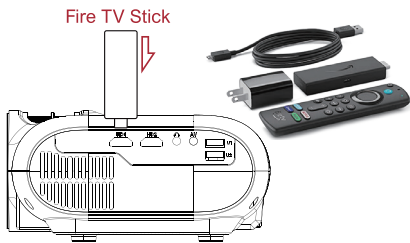


### 7.2 Fire TV Stick Connection

How to connect the Fire TV stick to the projector:

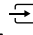
1. Connect the TV stick to power using the USB cable.
2. Plug the TV stick to one the HD port on the projector.
3. Select the HD option in the settings on the projector.

The content of the Fire TV stick will be displayed on the projection screen. Use the Fire stick's remote to select and stream your content.

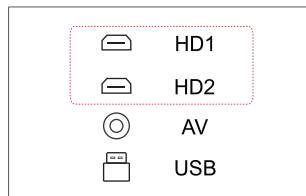


### 7.3 HD mode

**Step 1:** Connect the projector and device with HD cable.


**Step 2:** Press and hold the Source button  of the projector or remote control to enter the input source interface.

**Step 3:** Select HD1 or HD2 that you had connected, press OK to enter, press return key to exit and return to the main interface of the projector.



### 7.4 USB mode

**Step 1:** Connect the projector to the USB.

**Step 2:** Press and hold the Source button  of the projector or remote control to enter the input source interface.

**Step 3:** Select USB and press OK to enter the module interface (the same of home page).

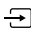
**Step 4:** Select the corresponding Movie, Music, Picture and text modules of the file type, and press OK to enter the file interface

**Step 5:** Select the file to be played in the file interface and press OK to select play.

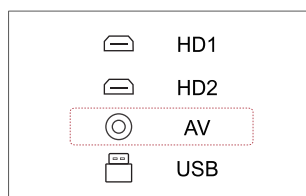
**Step 6:** Press the return key to exit and return to the main interface of the projector.

### 7.5 AV mode

**Step 1:** Connect the projector and the device with the AV cable.

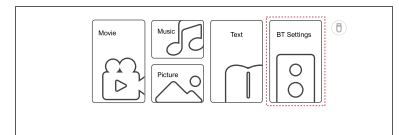
**Step 2:** Press and hold the Source button  of the projector or remote control to enter the input source interface.

**Step 3:** Select AV, press OK to enter, press return key to exit and return to the main interface of the projector.

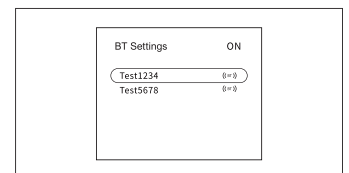


## 8 BT settings

1. Power on and enter the projector's main menu, select BT and click OK button to confirm.



2. Turn on BT and select the BT signal that needs to be connected.



**Enjoy your new projector!**

